

Pearl

Centrifugal sprinkler pumps



THOR



Pearl THOR

Centrifugal sprinkler pumps

Features

THOR is a self priming centrifugal pump. The pump was designed taking into consideration all the features needed to guarantee complete customer satisfaction, such as:

All components were designed to assure the best performance and reliability.

THOR's construction is suitable for outdoor applications.

THOR is used in irrigation systems where high flow is important at pressures necessary for efficient irrigation. THOR also has applications in Air Conditioning, Water Recirculation, Residential Water Supply, Pressure Booster and many other applications.

Its construction makes THOR suitable for indoor and outdoor installations.

Applications

- Lifting water containing air or other gases
- Water recirculation
- Irrigation systems
- Lifting capability up to 25 ft.

Operating Conditions

- Liquid temperature: 32 °F - 150 °F
- Maximum working pressure: 125 PSI
- Continuous duty

Construction

- Closed coupled self-priming centrifugal pump
- High quality components for domestic water supply and irrigation in respect to low lead requirements
- Connections threaded ports NPT
- All hardware in Stainless Steel
- Pre-drilled priming port with plug
- Pre-drilled drain port with plug for maintenance
- U shape base on all models gives a complete full support to the pump

Motor

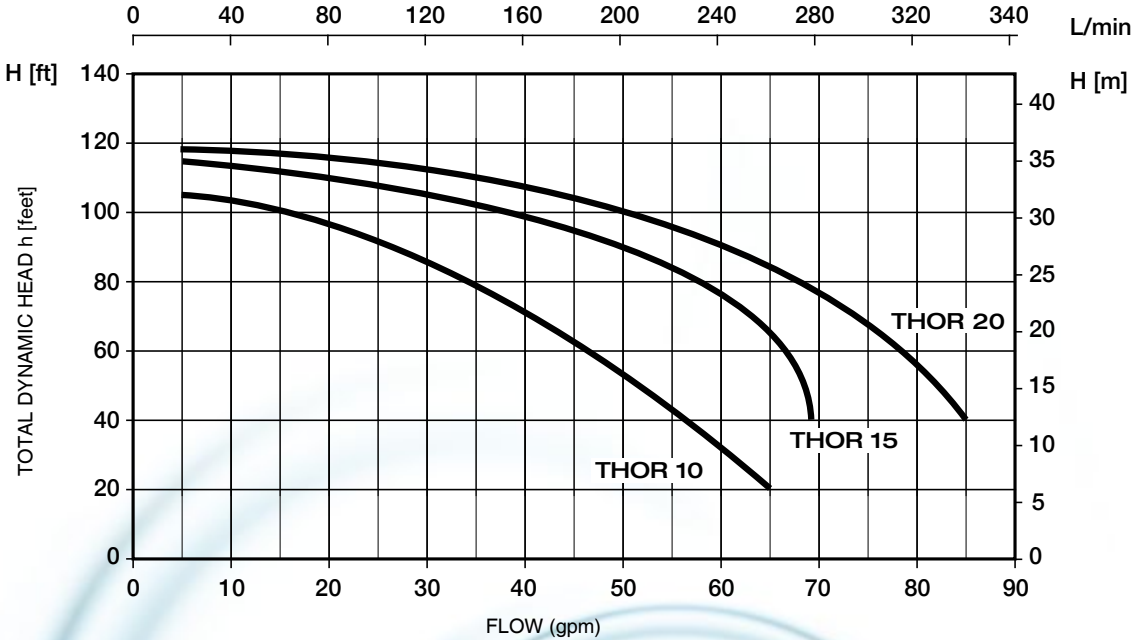
- Nema Standard ODP 56J motors for much cooler surface temperature
- Thermal overload protection
- Permanent Split Capacitor (PSC) without centrifugal switch for the 1 - 1½ - 2 Hp versions
- Front bearing 6204 for much longer life span
- All copper winding
- Class F Dupont Nomex Insulation System, cCSAus approved
- Single phase, 115/230V for 1 - 1½ Hp models
- Single phase, 230 V for 2 Hp models
- Easy voltage conversion for 1 - 1½ Hp models
- Maximum ambient temperature: 40 °C (104 °F)



Materials

COMPONENT	MATERIAL
PUMP CASING	Cast Iron
IMPELLER	PPE + PS, including SS304 inserts
DIFFUSER	PP, Volute with ss304 wear ring
SHAFT	SS304 + 40Cr(Friction Welded Shaft, 304ss Shaft Extension)
MECHANICAL SEAL	SIC/SUS316/EPDM, Silicon Carbide vs. Graphite faces

Performance Curves | n = 3450 rpm

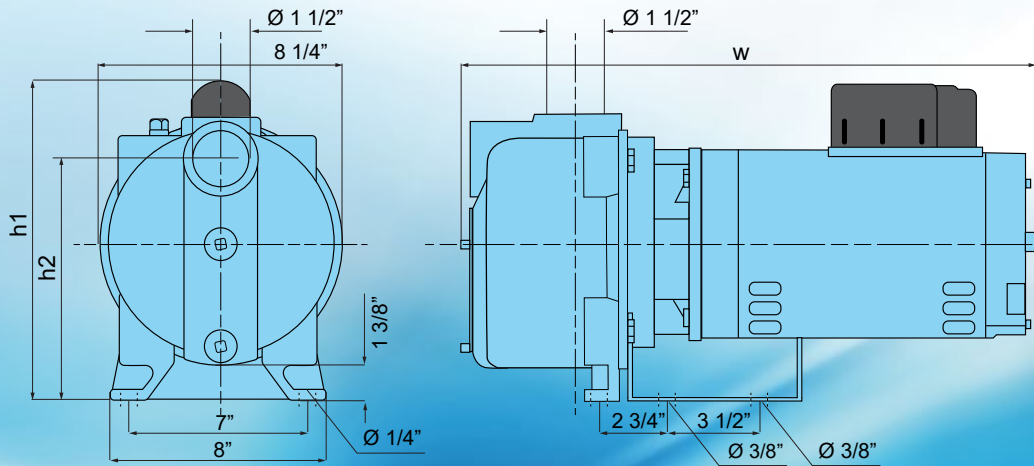


MODEL	HP	SUCTION LIFT DEPTH (feet)	DISCHARGE PRESSURE - PSI			MAX SHUT - OFF PSI
			20	30	40	
			FLOW US GPM			
THOR 10	1.0	0	54	41	25	46
		5	51	39	22	44
		10	50	34	19	40
		15	46	32	10	39
		20	42	26	8	38
		25	38	23		34
THOR 15	1.5	0	68	64	48	49
		5	62	58	45	48
		10	60	55	38	46
		15	55	51	33	44
		20	48	46	20	43
		25	39	37	10	41
THOR 20	2.0	0	83	73	60	51
		5	82	71	52	48
		10	80	68	47	47
		15	77	65	45	45
		20	70	60	32	44
		25	65	55	18	42



Pearl THOR

Centrifugal sprinkler pumps



Pump Dimensions

MODEL	SUCTION	DISCHARGE	DIMENSIONS			WEIGHT
	DN	DN	h1	h2	w	lbs
THOR 10	1 1/2"	1 1/2"	10 1/8"	7 3/4"	20 1/8"	60
THOR 15	1 1/2"	1 1/2"	10 1/8"	7 3/4"	20 1/8"	64
THOR 20	1 1/2"	1 1/2"	10 1/8"	7 3/4"	20 1/8"	65

Packaging Dimensions

MODEL	L	W	H	WEIGHT
	inch	inch	inch	lbs
THOR 10	22 1/2"	11 3/4"	12 3/4"	66
THOR 15	22 1/2"	11 3/4"	12 3/4"	70
THOR 20	22 1/2"	11 3/4"	12 3/4"	71

